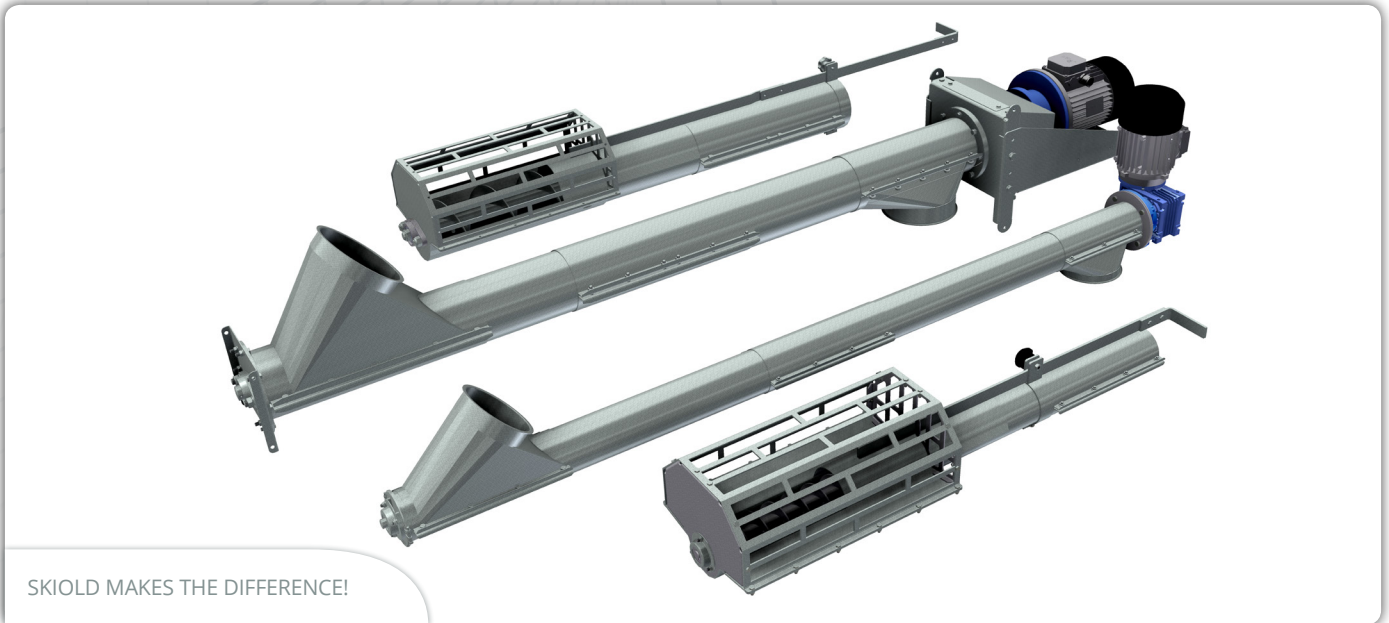




SKIOLD TUBULAR AUGERS

Ø102/Ø152



SKIOLD MAKES THE DIFFERENCE!

SKIOLD TUBULAR AUGERS Ø102/Ø152MM

Suitable for use in modern plants with many operational hours

Capacities from 1 to 60 m³/hour

Suitable for grain, meal products, granulate, and pellets

Galvanized execution, which ensures long life time

A wide range of accessories

Exclusively supplied with direct gear motor drive with ATEX certified motors

Supplied worm gear motor and helical gear motor

ATEX certified motors

SKIOLD TUBULAR AUGERS - Ø102/Ø152 mm

SKIOLD's range of tubular augers comprises two models, Ø102 and Ø152 mm, both in galvanized execution, which ensures long lifetime.

The tubular augers are suitable for transportation of grain, meal products, granulate, and pellets, with capacities from 1-60 m³/hour.

With center pipe and auger flights in heavy-duty metal thickness, the tubular augers are also suitable for use in plants with many operational hours.

With a wide range of accessories including different kinds of inlets, outlets, and connections, SKIOLD's tubular augers are very flexible and applicable for any type of dosing.

The augers are supplied with direct gear motor drive solely with ATEX certified motors.

TECHNICAL SPECIFICATIONS

	Max capacity m ³ /h	Max length m	Motor kW	Max rpm
Ø 102	25	18	0.55 - 3.0	1000
Ø 152	60	30	1.1 - 7.5	700

Capacity will vary for different products

